

Figure 7E

# Iron Body Gate Valve



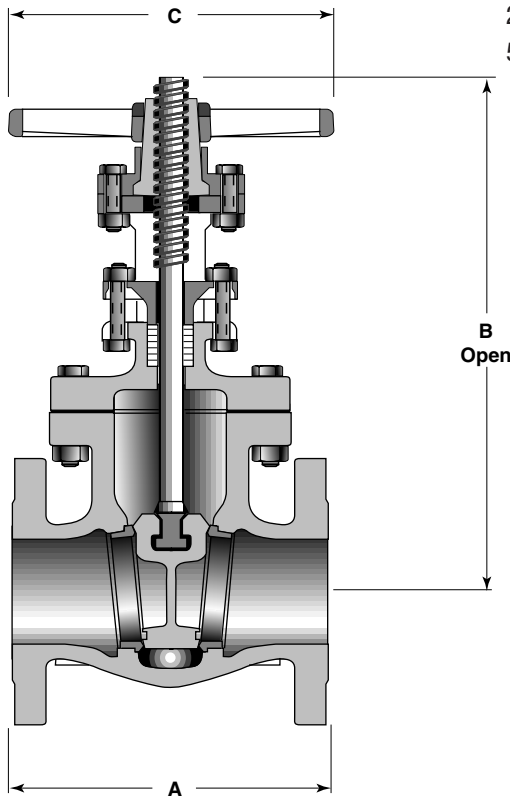
## Class 250 • Outside Screw & Yoke • Rising Stem

Figure 7E

Flanged with Bronze Seating  
Nickel Plated Steel Stem

**Size Range:**  
2 through 12 inches

**Working Pressures Non-Shock**  
250 psi Steam, Basic Rating  
500 psi Cold Working Pressure



### Features

- Tapered Solid Wedge Disc
- Body Guide Ribs
- Non Asbestos Packing and Gaskets
- Nickel Plated Steel Stem
- Renewable Bronze Seat Rings
- ACME Double Stem Threads
- Valves can be equipped with by-passes when specified.
- Valves 6" and larger have bosses cast into the bodies and bonnets, and can be equipped with taps and drains to prevent fluids from accumulating and possibly causing damage. Orders must specify location of taps and drains.
- MSS-SP-70 Type 1 and MSS-SP-25 ANSI/ASME B16.10, ANSI/ASME B16.1

For more detailed features, refer to page 6.

### Principal Parts & Materials

Fig. No.	Size	Stem	Seating	End Conn.
7E	2" - 12"	Steel Nickel Plated	Bronze	Flanged

### Dimensions and Weights

Inches (millimeters) - pounds (kilograms)

Valves	2 (50)	2 1/2 (65)	3 (80)	4 (100)	6 (150)	8 (200)	10 (250)	12 (300)
A	8.50 (216)	9.50 (241)	11.12 (282)	12.00 (305)	15.88 (403)	16.50 (419)	18.00 (457)	19.75 (502)
B	15.06 (383)	16.69 (424)	18.75 (476)	23.44 (595)	31.75 (806)	39.88 (1012)	52.75 (1340)	60.00 (1524)
C	8.00 (203)	8.00 (229)	10.00 (254)	12.00 (305)	16.00 (406)	18.00 (508)	22.00 (559)	24.00 (610)
Wt.	54 (23)	80 (36)	114 (52)	174 (79)	332 (150)	600 (272)	920 (418)	1400 (636)