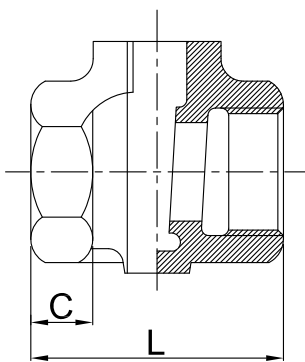
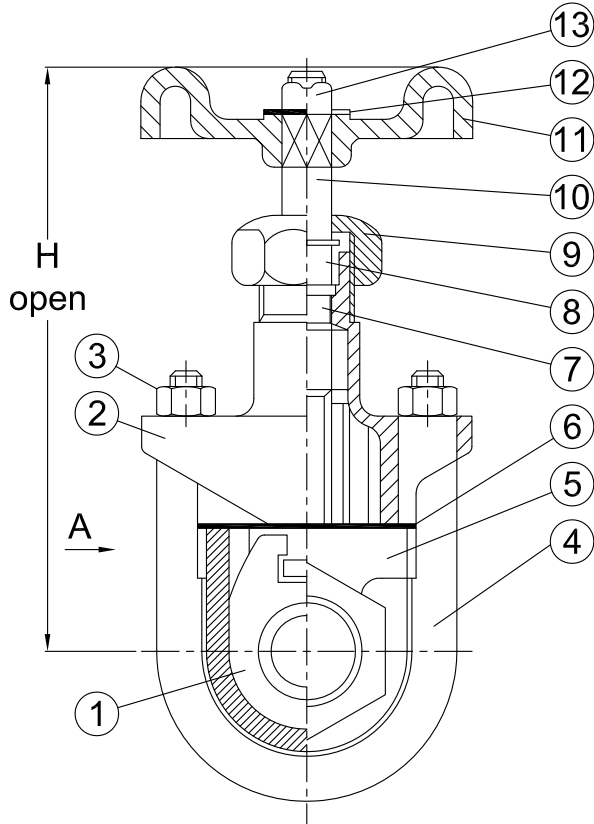


**Class 150 • U-Bolt Bonnet • Rising Stem • Bronze Trim • Threaded**

**490 Gate Valve**



**VIEW A**

Size	Pressure Rating	
	1/4 - 2"	150 PSI WSP
2 1/2 - 4"	125 PSI WSP	175 PSI WOG (Non-Shock)

**Materials of Construction**

No.	Description	Material	ASTM
1	Disc	Cast Bronze	B62
2	Bonnet	Ductile Iron	A536
3	Nut	Steel ASTM	A307 Gr. A
4	"U"-Bolt	Steel ASTM	A307 Gr. A
5	Body	Ductile Iron	A536
6	Gasket	Aramid Fiber with Nitrile Binder	
7	Packing	Die-formed Compressed Graphite	
8	Gland	Brass	B16
9	Packing Nut	Ductile Iron	A536
10	Stem	Brass	B16
11	Handwheel	Cast Iron	A126 Gr. B
12	Name Plate	Aluminum	
13	Wheel Nut	Steel	A307 Gr. A

See page 5 for Pressure Temperature Ratings

**Industry Standards**

MSS SP-70, Type 1
ASME B16.42

**Dimensions and Weights**

Inches (millimeters) - Pounds (kilograms)

Valve Size	Dimensions			WT
	H	L	C	
1/4	5.00	2.09	.47	1.50
	(125)	(53)	(11)	(.68)
3/8	5.00	2.09	.47	1.50
	(125)	(53)	(11)	(.68)
1/2	5.00	2.09	.47	1.50
	(125)	(53)	(11)	(.68)
3/4	6.22	2.52	.51	2.0
	(160)	(63)	(12.7)	(.90)
1	7.50	2.64	.63	3.0
	(190)	(67)	(16)	(1.36)
1 1/4	9.00	2.91	.70	5.0
	(228)	(73)	(18)	(2.26)
1 1/2	9.14	3.15	.75	6.5
	(232)	(79)	(19)	(2.94)
2	11.58	3.90	.75	10.0
	(293)	(99)	(19)	(4.53)
2 1/2	12.88	4.60	.90	16.0
	(327)	(116)	(23)	(7.25)
3	14.77	4.92	.90	24.0
	(375)	(124)	(23)	(10.8)
4	19.30	5.94	.98	48.0
	(490)	(150)	(24)	(21.7)