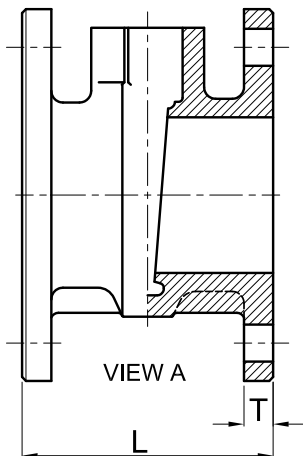
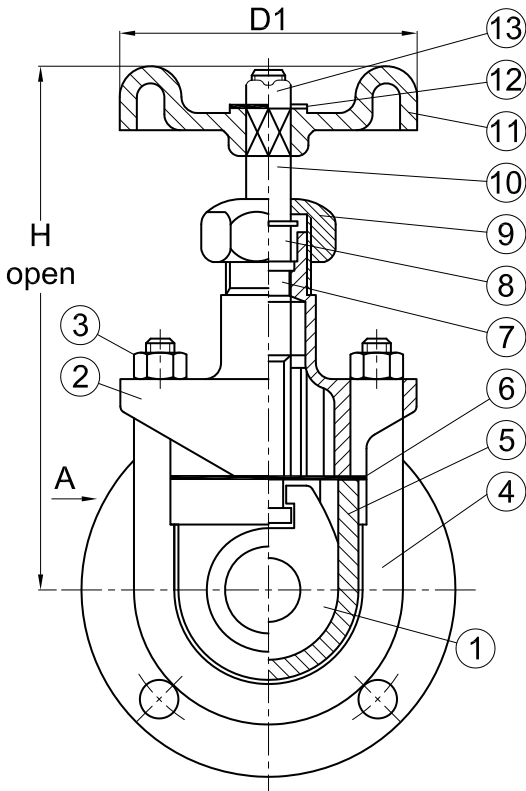


## Class 125 • U-Bolt Bonnet • Rising Stem • All Iron • Flanged

### 488 1/2 Gate Valve



### Materials of Construction

No.	Description	Material	ASTM
1	Disc	Ductile Iron	A536
2	Bonnet	Ductile Iron	A536
3	Nut	Steel ASTM	A307 Gr. A
4	"U"-Bolt	Steel ASTM	A307 Gr. A
5	Body	Ductile Iron	A536
6	Gasket	Aramid Fiber with Nitrile Binder	
7	Packing	Die-formed Compressed Graphite	
8	Gland	Stainless Steel	A276-410
9	Packing Nut	Ductile Iron	A536
10	Stem	Stainless Steel	A276-410
11	Handwheel	Cast Iron	A126 Gr. B
12	Name Plate	Aluminum	
13	Wheel Nut	Steel	A307 Gr. A

See page 5 for Pressure Temperature Ratings

### Industry Standards

MSS SP-70, Type 1

ASME B16.42

### Dimensions and Weights

Inches (millimeters) - Pounds (kilograms)

Valve Size	Dimensions				WT
	H	L	D1	T	
1	7.50	3.19	2.95	.32	6.0
	(190)	(81)	(75)	(8)	(2.7)
1½	9.14	3.74	3.75	.32	11.0
	(232)	(95)	(95)	(8)	(5)
2	11.58	4.25	3.98	.32	16.0
	(293)	(108)	(101)	(8)	(7.3)
2½	12.88	4.94	4.75	.32	24.0
	(327)	(125)	(121)	(8)	(11)
3	14.77	5.06	6.00	.37	34.0
	(375)	(129)	(152)	(9)	(15.4)
4	19.30	6.75	9.00	.50	62.0
	(490)	(171)	(229)	(13)	(28.1)

Size	Pressure Rating
1 - 2"	225 PSI WOG (Non-Shock)
2½ - 4"	175 PSI WOG (Non-Shock)