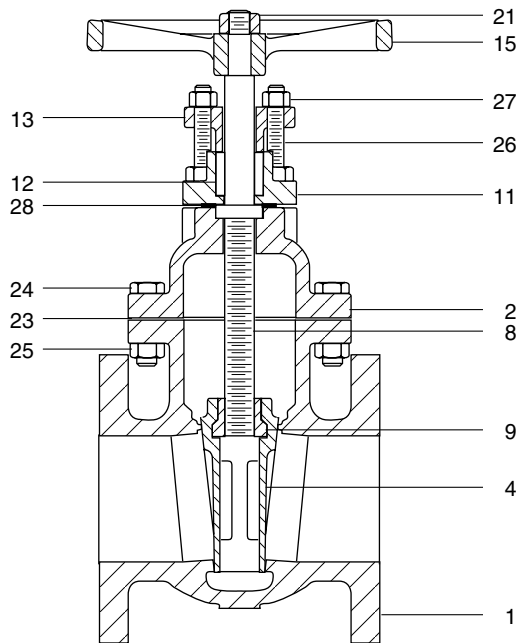


Class 125 • Bolted Bonnet • N-R Stem • All Iron • Flanged

473 Gate Valve



Materials of Construction

No.	Description	Material	ASTM
1	Body	Cast Iron	A126 Class B
2	Bonnet	Cast Iron	A126 Class B
4	Disc	Cast Iron	A126 Class B
8	Stem	Stainless Steel	A276 Type 304
9	Disc Nut	13 CR SS (4" - 8")	A582 Type 416
11	Stuffing Box	Ductile Iron	A536 Gr. 65-45-12
12	Packing	Braided Flexible Graphite with Corrosion Inhibitor	
13	Gland Flange	Ductile Iron	A536 Gr. 65-45-12
15	Handwheel	Ductile Iron	A536 Gr. 65-45-12
21	Handwheel Nut	Carbon Steel	A563 Gr. A
23	Bonnet Gasket	Aramid Fibers with SBR Binder	
24	Bonnet Bolt	Carbon Steel	A307 Gr. B
25	Bonnet Bolt Nut	Carbon Steel	A563 Gr. A
26	Gland Bolt	Carbon Steel	A307 Gr. B
27	Gland Bolt Nut	Carbon Steel Zinc-Plated	A563 Gr. A
28	Stuffing Box Gasket	Aramid Fibers with SBR Binder	
34	Stuffing Box Bolt*	Carbon Steel	A307 Gr. B
35	Stuffing Box Bolt Nut*	Carbon Steel	A563 Gr. A

* Not shown

See page 5 for Pressure Temperature Ratings

Industry Standards

MSS SP-70, Type 1

Dimensions and Weights

Inches (millimeters) - Pounds (kilograms)

Valve Size	Dimensions			WT
	B	C	M	
2	11.31	8.00	7.00	30
	(287)	(203)	(178)	(14)
2 ½	12.40	8.00	7.50	44
	(315)	(203)	(191)	(20)
3	13.25	8.00	8.00	56
	(337)	(203)	(203)	(25)
4	16.31	10.00	9.00	91
	(414)	(254)	(229)	(41)
5	18.00	10.00	10.00	126
	(457)	(254)	(254)	(57)
6	20.69	12.00	10.50	152
	(526)	(305)	(267)	(69)
8	24.12	14.00	11.50	260
	(613)	(356)	(292)	(118)

