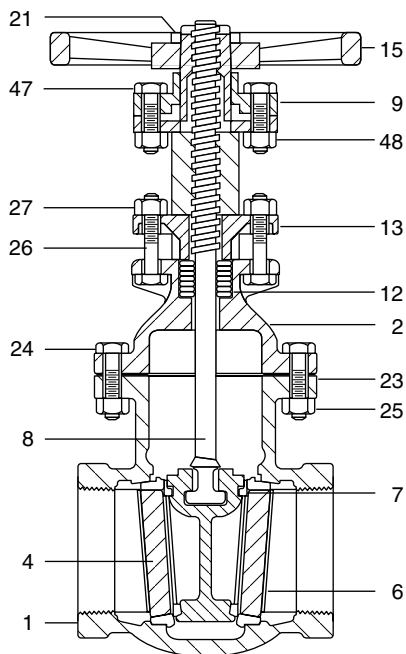


Class 125 • Bolted Bonnet • OS&Y • Bronze Trim • Threaded

464 1/2 Gate Valve



Materials of Construction

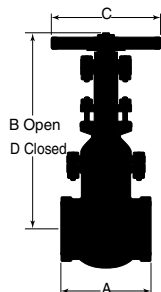
No.	Description	Material	ASTM
1	Body	Cast Iron	A126 Class B
2	Yoke Bonnet	Cast Iron	A126 Class B
4	Disc	Bronze (2")	B61 C92200
		Bronze (2 1/2" - 3")	B584 C84400
		Cast Iron (4")	A126 Class B
6	Seat Ring	Bronze	B584 C84400
7	Disc Ring	Bronze (4")	B584 C84400
8	Stem	Manganese Bronze	B584 C86400
9	Yoke Sleeve	Manganese Bronze	B584 C86400
12	Packing	Braided Flexible Graphite with Corrosion Inhibitor	
13	Gland	Ductile Iron	A536 Gr. 65-45-12
15	Handwheel	Ductile Iron	A536 Gr. 65-45-12
21	Handwheel Nut	Sintered Nickel Steel	B484 Gr. 2 CL B Type II
23	Bonnet Gasket	Aramid Fibers with SBR Binder	
24	Bonnet Bolt	Carbon Steel	A307 Gr. B
25	Bonnet Bolt Nut	Carbon Steel	A563 Gr. A
26	Gland Bolt	Carbon Steel	A307 Gr. B
27	Gland Bolt Nut	Carbon Steel Zinc-Plated	A563 Gr. A
46	Yoke Cap*	Ductile Iron	A536 Gr. 65-45-12
47	Yoke Cap Bolt	Carbon Steel	A307 Gr. B
48	Yoke Cap Bolt Nut	Carbon Steel	A563 Gr. A

* Not shown

See page 5 for Pressure Temperature Ratings

Industry Standards

MSS SP-70, Type 1



Dimensions and Weights

Inches (millimeters) - Pounds (kilograms)

Valve Size	Dimensions				WT
	A	B	C	D	
2	5.38	14.75	8.00	12.50	25
	(137)	(375)	(203)	(318)	(11)
2 1/2	6.62	16.06	8.00	13.31	38
	(168)	(408)	(203)	(338)	(17)
3	7.00	17.38	8.00	13.88	46
	(178)	(441)	(203)	(353)	(21)
4	8.00	21.44	10.00	17.06	77
	(203)	(545)	(254)	(433)	(35)