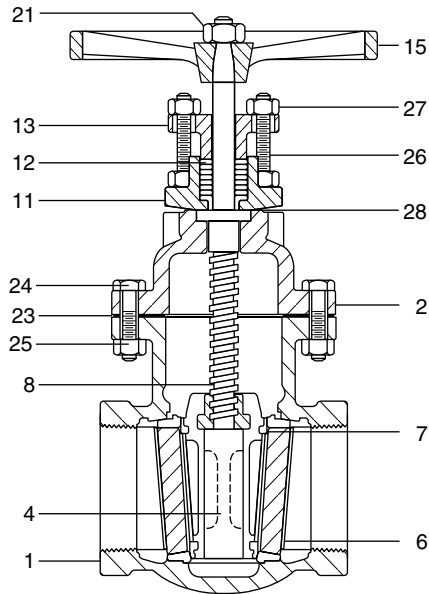


Class 125 • Bolted Bonnet • N-R Stem • Bronze Trim • Threaded

460 Gate Valve



Materials of Construction

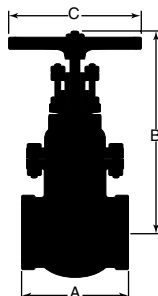
No.	Description	Material	ASTM
1	Body	Cast Iron	A126 Class B
2	Bonnet	Cast Iron	A126 Class B
4	Disc	Bronze (2" - 3")	B584 C84400
		Cast Iron (4")	A126 Class B
6	Seat Ring	Bronze	B584 C84400
7	Disc Ring	Bronze (4")	B584 C84400
8	Stem	Manganese Bronze	B584 C86400
11	Stuffing Box	Ductile Iron	A536 Gr. 65-45-12
12	Packing	Braided Flexible Graphite with Corrosion Inhibitor	
13	Gland Flange	Ductile Iron	A536 Gr. 65-45-12
15	Handwheel	Ductile Iron	A536 Gr. 65-45-12
21	Handwheel Nut	Carbon Steel	A563 Gr. A
23	Bonnet Gasket	Aramid Fibers with SBR Binder	
24	Bonnet Bolt	Carbon Steel	A307 Gr. B
25	Bonnet Bolt Nut	Carbon Steel	A563 Gr. A
26	Gland Bolt	Carbon Steel	A307 Gr. B
27	Gland Bolt Nut	Carbon Steel	A563 Gr. A
28	Stuffing Box Gasket	Aramid Fibers with SBR Binder	
34	Stuffing Box Bolt*	Carbon Steel	A307 Gr. B
35	Stuffing Box Bolt Nut*	Carbon Steel	A563 Gr. A

* Not shown

See page 5 for Pressure Temperature Ratings

Industry Standards

MSS SP-70, Type 1



Dimensions and Weights

Inches (millimeters) - Pounds (kilograms)

Valve Size	Dimensions			WT
	A	B	C	
2	5.38	11.31	8.00	25
	(137)	(287)	(203)	(11)
2 ½	6.62	12.40	8.00	31
	(168)	(315)	(203)	(14)
3	7.00	13.25	8.00	44
	(178)	(337)	(203)	(20)
4	8.00	16.31	10.00	71
	(203)	(414)	(254)	(32)