

**Class 250 • Non-Rising Stem • Flanged Ends**

### Features

- Tapered Solid Wedge Disc
- Body Guide Ribs
- Renewable Bronze Seat Rings
- Non-Asbestos Packing & Gaskets
- Valves can be equipped with by-passes when specified
- Valves 6" and larger have bosses cast into the bodies and bonnets, and can be equipped with taps and drains to prevent fluids from accumulating and possibly causing damage. Orders must specify location of taps and drains.
- Stem with ACME Double Threads
- MSS-SP-70 Type 1 and MSS-SP-25  
ANSI/ASME B16.10, ANSI/ASME B16.1

For more detailed features, refer to page 6.

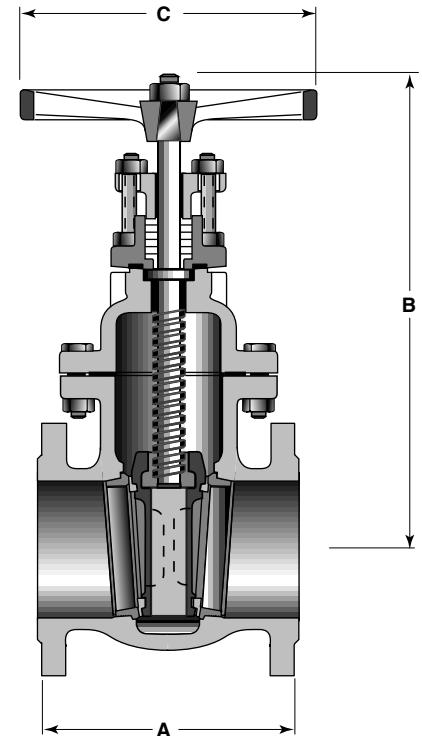
### Figure 3E

Flanged with Bronze Trim

**Size Range:**  
2 through 12 inches

**Working Pressures Non-Shock**

250 psi Steam, Basic Rating  
500 psi Cold Working Pressure



### Principal Parts & Materials

Fig. No.	Size	Stem	Seating	End Conn.
3E	2" - 12"	Bronze	Bronze	Flanged

### Dimensions and Weights

Inches (millimeters) - pounds (kilograms)

Valves	2 (50)	2 1/2 (65)	3 (80)	4 (100)	6 (150)	8 (200)	10 (250)	12 (300)
A	8.50 (216)	9.50 (241)	11.12 (282)	12.00 (305)	15.88 (403)	16.50 (419)	18.00 (457)	19.75 (502)
B	11.94 (303)	12.94 (329)	14.50 (368)	17.38 (441)	23.00 (584)	30.75 (781)	36.00 (914)	39.75 (1010)
C	8.00 (203)	8.00 (229)	10.00 (254)	12.00 (305)	16.00 (406)	20.00 (508)	22.00 (559)	24.00 (610)
Wt.	47 (21)	84 (38)	113 (51)	175 (80)	335 (152)	545 (247)	961 (386)	1300 (590)