

Figure 1670

NI-Resist Iron Wedge Gate Valves

CRANE®

225 CWP • Outside Screw & Yoke • Threaded Ends

Figure 1670

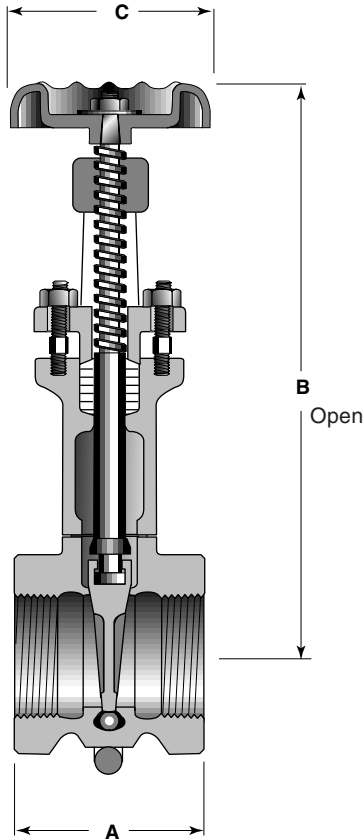
Threaded - Stainless Steel Trim

Size Range:

1/2 through 2 inches

Working Pressure Non-Shock

225 psi Cold Working Pressure



Features

- Compact Design
- Steel U-Bolt Clamp
- 18-8 SMO Seat Rings
- 18-8 SMO Disc
- Stainless Steel Stem
- Body and Bonnet ASTM A436 Type II Ni-Resist
- ANSI/ASME B1.20.1
- Every valve is individually air tested

For more detailed features, refer to page 6.

Principal Parts & Materials

Fig. No.	Size	Stem	Seating	End Conn.
1670	1/2" - 2"	Stainless Steel	18-8 SMO	Threaded

Dimensions and Weights

Inches (millimeters) - pounds (kilograms)

Valves	1/2 (12)	3/4 (20)	1 (25)	1 1/4 (32)	1 1/2 (40)	2 (50)
A	2.06 (52)	2.32 (59)	2.56 (65)	2.87 (73)	3.15 (80)	3.62 (92)
B	6.75 (171)	7.52 (191)	9.25 (235)	10.25 (260)	12.24 (311)	14.50 (368)
C	2.06 (52)	2.56 (65)	2.75 (70)	3.06 (78)	3.62 (92)	4.06 (103)
Wt.	2.0 (0.91)	4.0 (1.81)	5.0 (2.27)	6.5 (2.95)	9.5 (4.31)	13.0 (5.90)