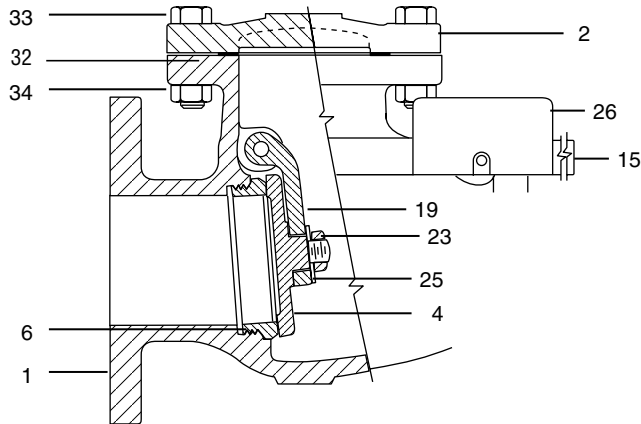


**Class 125 • Bolted Cap • Bronze Trim • Flanged Ends**

**383 Lever and Weight Check Valve**



**Dimensions and Weights**  
Inches (millimeters) - Pounds (kilograms)

Valve Size	Dimensions		WT
	B	M	
2	4.50 (114)	8.00 (203)	30 (14)
2 ½	5.38 (137)	8.50 (216)	40 (18)
3	5.88 (149)	9.50 (241)	54 (24)
4	6.62 (168)	11.50 (292)	85 (38)
6	8.25 (210)	14.00 (356)	137 (62)
8	10.25 (260)	19.50 (495)	240 (108)
10	12.00 (305)	24.50 (622)	460 (208)
12	13.75 (349)	27.50 (699)	700 (317)
14	16.88 (429)	31.00 (787)	1060 (481)
16	19.12 (486)	36.00 (914)	1500 (682)
18	24.00 (610)	36.00 (914)	1970 (895)
20	27.62 (702)	42.00 (1067)	2590 (1117)
24	31.00 (787)	46.00 (1168)	3840 (1745)

**Materials of Construction**

No.	Description	Material	ASTM
1	Body	Cast Iron	A126 Class B
2	Cap	Cast Iron	A126 Class B
4	Disc	Bronze (2" - 6")	B584 C84400
		Cast Iron (8")	A126 Class B
6	Body Seat Ring	Bronze	B584 C84400
7	Disc Seat Ring*	Bronze (8")	B584 C84400
8	Hinge Pin**	Exelloy	A276 Type 410
11	Stuffing Box**	Brass	B16 C36000
12	Packing**	Braided Flexible Graphite with Corrosion Inhibitor	
14	Packing Nut**	Bronze	B16 C36000
15	Lever†	Ductile Iron	A536 Gr. 65-45-12
19	Hinge†	Bronze (2" - 6")	B584 C84400
		Ductile Iron (8")	A536 Gr. 65-45-12
20	Disc Stud*	Steel (8")	A108
21	Disc Stud Pin*	18-8 Stainless Steel (8")	
22	Hinge Pin Key**	Steel	A108
23	Nut for Disc	Brass (2" - 6")	B16 C36000
		(8") Steel	A563 Gr. A
24	Hinge Pin Plug*	Brass	B16 C36000
25	Disc Washer	Brass (2" - 6")	B36
		Steel (8")	
26	Weight†	Cast Iron	A126 Class B
27	Hinge Pin Bushing*	Bronze	B16 C36000
28	Lever Washer**	Steel	
29	Coupling**	Ductile Iron	A536 Gr. 65-45-12
30	Gib-Key**	Steel	
31	Lever Nut**	Steel Di-Chromate	
32	Gasket†	Aramid Fibers with SBR Binder	
33	Cap Bolts	Steel	A307 Gr. B
34	Cap Bolt Nuts	Steel	A563 Gr. A
36	ID Plate*	Aluminum	

\* Not shown

† Parts indicated are necessary for changing regular valve to outside lever and weight. See page 6 for Lever and Weight Technical Orientation Data  
See page 5 for Pressure-Temperature Ratings

Industry Standards
MSS SP-71, Type 1

