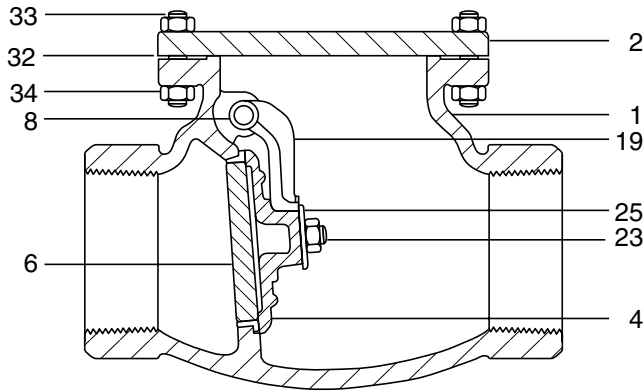


Class 125 • Bolted Cap • Bronze Trim • Threaded Ends

372 Check Valve



Materials of Construction

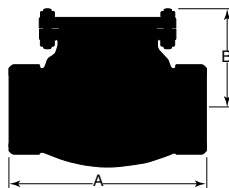
No.	Description	Material	ASTM
1	Body	Cast Iron	A126 Class B
2	Cap	Cast Iron	A126 Class B
4	Disc	Bronze	B62
6	Seat Ring	Bronze	B62
8	Hinge Pin	Alum Silicon Bronze	B150
19	Hinge	Bronze	B62
23	Disc Nut	Brass	B16
24	Side Plug*	Brass	B16
25	Disc Washer	Brass	B36
28	Hinge Pin Bushing*	Brass	B62
32	Bonnet Gasket	Aramid Fibers with SBR Binder	
33	Cap Bolt	Carbon Steel	A307 Gr. B
34	Cap Bolt Nut	Carbon Steel	A563 Gr. A
36	Identification Plate*	Aluminum	

* Not shown

See page 5 for Pressure Temperature Ratings

Industry Standards

MSS SP-71, Type 1



Dimensions and Weights

Inches (millimeters) - Pounds (kilograms)

Valve Size	Dimensions		WT
	A	B	
2	6.12	4.50	18
	(155)	(114)	(8)
2 ½	7.25	5.38	22
	(184)	(137)	(10)
3	8.00	5.88	29
	(203)	(149)	(13)
4	9.25	6.62	54
	(235)	(168)	(25)