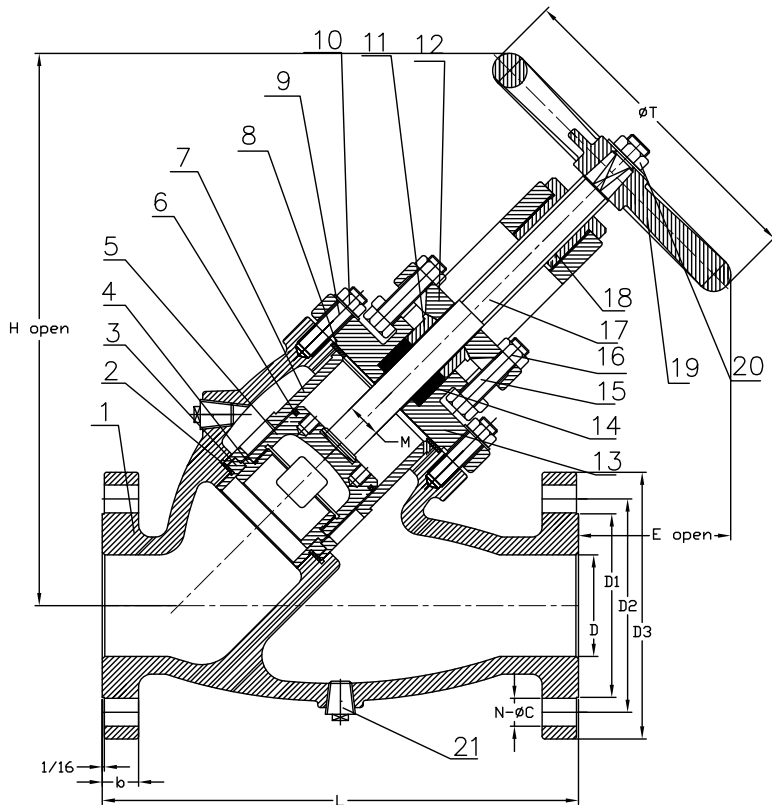


Class 250 • Bolted Bonnet • OS&Y • Bronze Trim • Flanged

28E Stop Check Valve



Materials of Construction

No.	Description	Material	ASTM
1	Body	Ductile Iron	A536
2	Body Seat Gasket	Graphite	
3	Body Seat Ring	Cast Bronze	B62
4	Disc Seal	Cast Bronze	B62
5	Disc	Ductile Iron	A536
6	Piston Ring	Alloy Cast Iron	
7	Disc Guide	Ductile Iron	A536
8	Body Gasket	Graphite	
9	Bolts	Steel	A193 B7
10	Nuts	Steel	A194 2H
11	Packing Gland	Cast Brass	B62
12	Gland Follower	Ductile Iron	A536
13	Bonnet	Ductile Iron	A536
14	Packing	Die-formed Compressed Graphite	
15	Bolts	Steel	A193 B7
16	Nuts	Steel	A194 2H
17	Stem	Stainless Steel	410
18	Stem Nut	Cast Brass	B62
19	Handwheel	Cast Iron	A126 B
20	Nut	Steel	A194 2H
21	Drain Plug	Stainless Steel	304

See pages 23-26 for sizing and other Technical Data

NOTE: Contact your CRANE® representative if you wish to have basic flow calculations performed by CRANE® to advise the possible sizes appropriate for your application.

Dimensions and Weights

Inches (millimeters) - Pounds (kilograms)

Features:

- Valve designed for steam applications that operate between 100 and 250 psig.
- The Stop-Check feature of this valve requires a minimum of 50 psi pressure differential between piping system and boiler to operate properly.

Drain Plug Sizing Chart	
2 1/2" - 6" Valves	1/2" NPT Plug
6" - 10" Valves	3/4" NPT Plug

Valve Size	Dimensions										WT	
	D	D1	D2	D3	L	b	N - øC	M	H (Open)	E (Open)		T
2 1/2	2.50	4.94	5.86	7.50	13.00	1.00	8 - ø7/8	1.13	15.75	5.00	10.00	103
	(64)	(125)	(149)	(191)	(330)	(25)		(29)	(400)	(127)	(254)	(47)
3	3.00	5.69	6.63	8.25	14.75	1.13	8 - ø7/8	1.13	18.69	6.29	10.00	140
	(76)	(145)	(168)	(210)	(375)	(29)		(29)	(474)	(159)	(254)	(64)
4	4.00	6.31	7.86	10.00	17.00	1.25	8 - ø7/8	1.25	21.47	7.61	10.13	226
	(102)	(160)	(200)	(254)	(432)	(32)		(32)	(545)	(193)	(257)	(103)
5	5.00	8.31	9.25	11.00	19.00	1.38	8 - ø7/8	1.50	24.46	9.38	14.00	307
	(127)	(211)	(235)	(279)	(483)	(35)		(38)	(621)	(238)	(355)	(139)
6	6.00	9.69	10.63	12.50	21.50	1.44	12 - ø7/8	1.50	28.82	11.26	17.75	420
	(152)	(246)	(270)	(318)	(546)	(37)		(38)	(732)	(286)	(450)	(191)
8	8.00	11.94	13.00	15.00	26.00	1.63	12 - ø1	1.63	35.62	15.19	20.00	737
	(203)	(303)	(330)	(381)	(660)	(41)		(41)	(904)	(385)	(508)	(335)
10	10.00	14.06	15.25	17.50	30.00	1.88	-	1.75	-	-	-	1250
	(254)	(357)	(387)	(445)	(762)	(48)		(44)	-	-	-	(568)