

**Class 125 • Flanged Ends**

**Features**

- Disc Solid Bronze 10" and smaller. Larger sizes ductile iron with bronze seating face
- 24" and larger have disc position indicator
- Discs are designed with "Aerofoil" configuration
- ANSI B16.1

For more detailed features, refer to page 35.

**Figure 23**

Flanged - Bronze Trim

**Size Range:**

2 through 24 inches

**Working Pressures Non-Shock**

2" - 12"

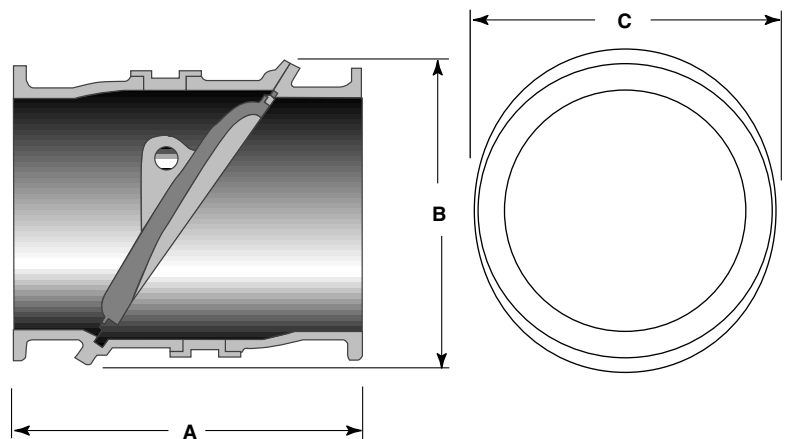
125 psi Steam, Basic Rating

200 psi Cold Working Pressure

14" - 24"

100 psi Steam, Basic Rating

150 psi Cold Working Pressure



**Principal Parts & Materials**

Fig. No.	Size	Seating	End Conn.
23	2" - 24"	Bronze	Flanged

**Dimensions and Weights**

Inches (millimeters) - pounds (kilograms)

Valves	2 (50)	2 1/2 (65)	3 (80)	4 (100)	6 (150)	8 (200)	10 (250)	12 (300)	14 (350)	16 (400)	18 (450)	20 (500)	24 (600)
A	9.5 (241)	9.5 (241)	9.5 (241)	11.5 (292)	14.0 (356)	19.5 (495)	24.5 (622)	27.5 (698)	31.0 (787)	30.0 (762)	33.0 (838)	32.5 (826)	38.0 (965)
B	7.50 (190)	7.50 (190)	7.50 (190)	9.75 (248)	11.88 (302)	14.88 (378)	17.75 (451)	19.50 (495)	22.38 (568)	25.88 (657)	29.00 (737)	31.00 (787)	36.50 (927)
C	11.50 (292)	11.50 (292)	11.50 (292)	14.50 (368)	16.50 (419)	20.25 (514)	25.25 (641)	26.50 (673)	29.38 (746)	33.62 (854)	37.25 (946)	39.75 (1010)	47.00 (1193)
Wt.	40 (18)	50 (23)	60 (27)	105 (48)	165 (75)	225 (102)	415 (188)	635 (288)	990 (449)	1050 (476)	1500 (680)	1720 (780)	3200 (1451)