

**Class 250 • Flanged Ends**

**Features**

- Disc solid bronze 8" and smaller. Larger sizes ductile iron with bronze seating face
- 24" and larger have disc position indicator
- Discs are designed with an "Aerofoil" configuration
- ANSI B16.1

For more detailed features, refer to page 35.

**Figure 223**

Flanged - Bronze Trim

**Size Range:**

2 through 24 inches

**Working Pressures Non-Shock**

2" - 12"

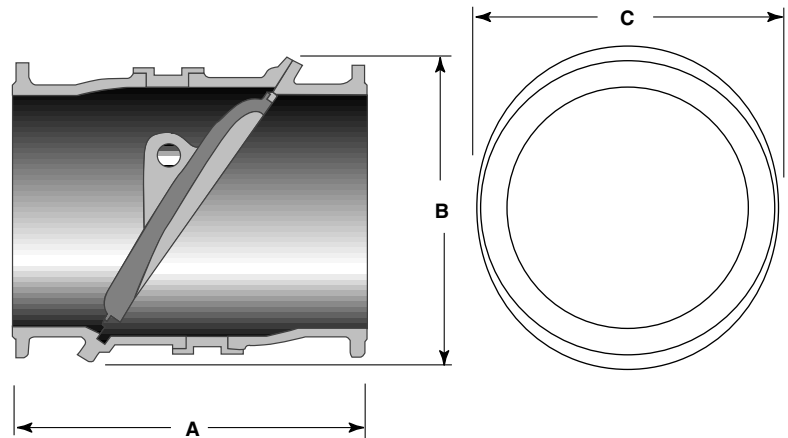
250 psi Steam, Basic Rating

500 psi Cold Working Pressure

14" - 24"

200 psi Steam, Basic Rating

300 psi Cold Working Pressure



**Principal Parts & Materials**

Fig. No.	Size	Seating	End Conn.
223	2" - 24"	Bronze	Flanged

**Dimensions and Weights**

Inches (millimeters) - pounds (kilograms)

Valves	2 (50)	2 1/2 (65)	3 (60)	4 (100)	6 (150)	8 (200)	10 (250)	12 (300)	14 (350)	16 (400)	18 (450)	20 (500)	24 (600)
A	9.50 (241)	11.00 (279)	12.50 (318)	14.00 (356)	17.50 (445)	21.00 (533)	24.50 (622)	28.00 (711)	30.00 (762)	33.00 (838)	36.00 (914)	39.00 (991)	45.00 (1143)
B	7.50 (191)	7.75 (197)	7.75 (197)	9.75 (248)	15.00 (381)	15.25 (387)	18.12 (460)	21.00 (533)	24.75 (629)	27.50 (699)	30.00 (762)	31.62 (803)	37.50 (953)
C	11.50 (292)	11.50 (292)	11.50 (292)	11.50 (292)	20.00 (508)	21.38 (543)	24.25 (616)	27.50 (699)	31.62 (803)	34.88 (886)	37.00 (940)	41.50 (1054)	50.50 (1283)
Wt.	60 (27)	60 (27)	70 (32)	115 (52)	300 (136)	410 (186)	550 (249)	785 (356)	1100 (499)	1250 (567)	1800 (71)	2400 (1088)	3800 (1723)