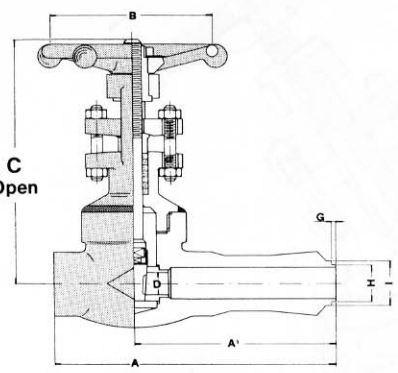


CRANE

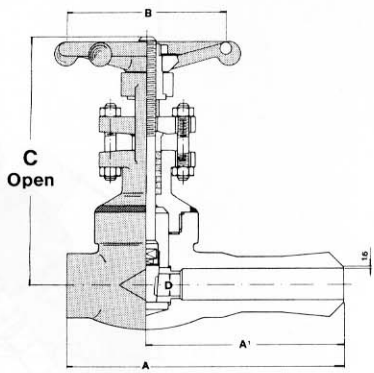
EXTENDED BODY GATE VALVES Class 800 1/2" to 2"

**Welded Bonnet
API 606**

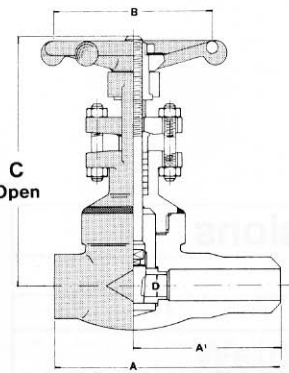
**ASTM A105
1975psi @ - 20 to 100F**



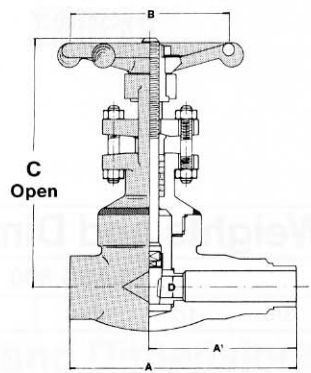
W-3637XU-TxB



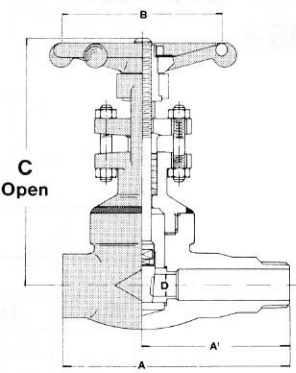
W-3638XU-WxB



W-3635XU-TxB



W-3636XU-WxW



W-3639XU-TxT

Weights and Dimensions

		W-3637XU				W-3638-XU											
REG.	-	1/2		3/4		1		1 1/4		1 1/2		2		-			
		mm	in.	mm	in.	mm	in.	mm	in.	mm	in.	mm	in.	mm	in.		
A	-	-	-	192	7.55	215	8.46	239	9.40	-	-	258	10.1	262	10.3	-	-
A¹	-	-	-	152	5.98	170	6.69	184	7.24	-	-	193	7.59	197	7.75	-	-
B	-	-	-	70	2.75	80	3.14	110	4.33	-	-	130	5.11	130	5.11	-	-
C	-	-	-	148	5.82	163	6.41	178	7.00	-	-	243	9.56	262	10.3	-	-
D	-	-	-	10	0.39	14	0.55	19	0.75	-	-	29	1.14	36.5	1.44	-	-
H	-	-	-	14	0.55	18	0.70	23	0.90	-	-	38	1.49	43	1.69	-	-
I	-	-	-	18	0.70	23	0.90	28	1.10	-	-	42	1.65	48	1.88	-	-
G	-	-	-	4	0.15	4.5	0.17	5	0.19	-	-	7	0.27	8	0.31	-	-
Kg-Lb	-	-	-	2.5	5.5	2.7	6.0	4.5	9.9	-	-	8.5	18.7	10.5	23.0	-	-

		W-3635XU				W-3636XU				W-3639XU							
REG.	-	1/2		3/4		1		1 1/4		1 1/2		2		-			
		mm	in.	mm	in.	mm	in.	mm	in.	mm	in.	mm	in.	mm	in.		
A	-	-	-	153	6.02	153	6.02	182	7.16	-	-	216	8.50	216	8.50	-	-
A¹	-	-	-	108	4.25	108	4.25	127	5.00	-	-	152	5.98	152	5.98	-	-
B	-	-	-	70	2.75	80	3.14	110	4.33	-	-	130	5.11	130	5.11	-	-
C	-	-	-	148	5.82	163	6.41	178	7.00	-	-	243	9.56	262	10.3	-	-
D	-	-	-	10	0.39	14	0.55	19	0.75	-	-	29	1.14	36.5	1.44	-	-
Kg-Lb	-	-	-	2.2	4.8	2.2	4.8	3.4	7.5	-	-	8.0	17.6	9.8	21.5	-	-

W-3637XU-TxB W-3637XU-WxB	W-3638XU-TxB W-3638XU-WxB
Threaded or Welded by Extended Reinforced Butt Weld End to Match Pipe	Threaded or Welded by Extended Reinforced Butt Weld End

W-3635XU-TxB W-3635XU-WxB	W-3636XU-TxW W-3636XU-WxW	W-3639XU-TxT W-3639XU-WxT
API TYPE C	API TYPE B	API TYPE A
Threaded or Welded by Extended Butt Weld End	Threaded or Welded by Extended Male Socket End	Threaded or Welded by Extended Male Threaded End

Valves are regularly furnished in ASTM A105 carbon steel. Other body, bonnet and trim materials are also available.