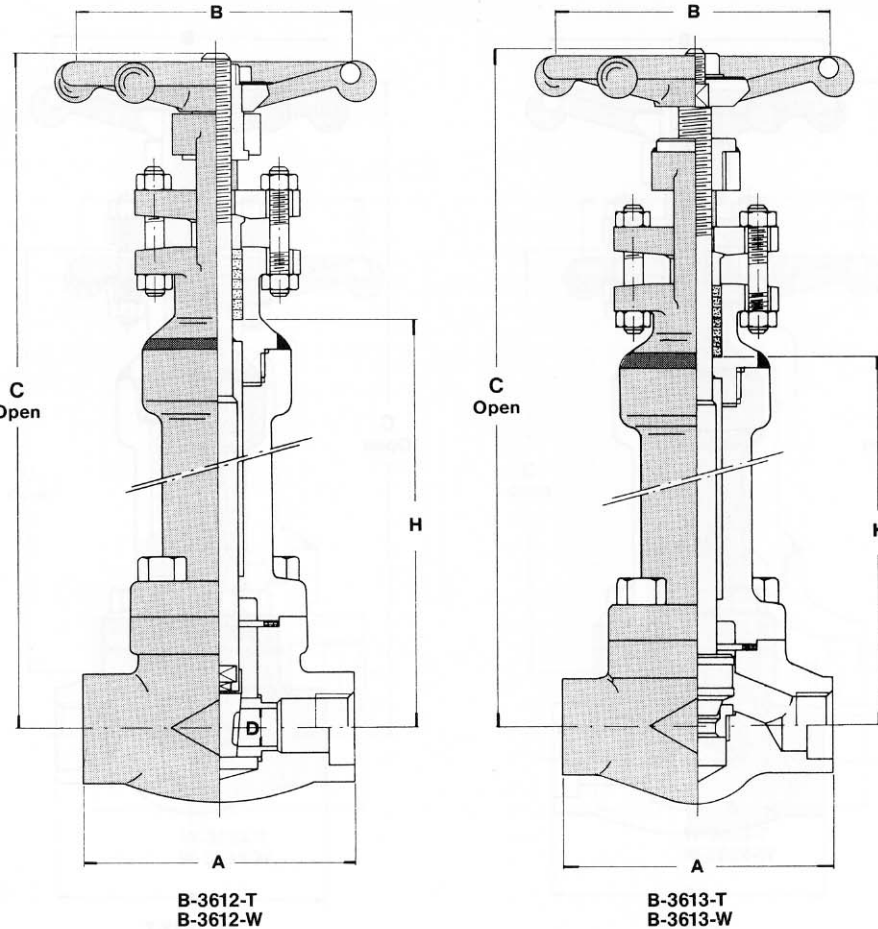


CRANE

**CRYOGENIC
GATE VALVES
&
GLOBE VALVES
Class 800
1/4" to 2"**

**Bolted Extended Bonnet
API 602
ASTM A182 Gr F304**



Weights and Dimensions

GATE VALVES

REG.	-		1/2		3/4		1		1 1/4		1 1/2		2		-	
FULL	1/4		3/8		1/2		3/4		1		1 1/4		1 1/2		2	
	mm	in.	mm	in.	mm	in.	mm	in.	mm	in.	mm	in.	mm	in.	mm	in.
A	80	3.14	80	3.14	90	3.54	110	4.33	127	5.00	127	5.00	127	5.00	150	5.90
B	70	2.75	70	2.75	80	3.14	110	4.33	110	4.33	130	5.11	130	5.11	160	6.29
C	398	15.7	398	15.7	413	16.2	428	16.8	460	18.1	493	19.4	512	20.1	577	22.7
D	8	0.31	10	0.39	14	0.55	19	0.75	24	0.94	29	1.14	36.5	1.44	48	1.89
H	290	11.4	290	11.4	299	11.8	303	11.9	324	12.7	336	13.2	347	13.7	372	14.6
Kg-Lb	3.2	7	3.2	7	4.1	9	6.4	14	10.5	23.1	12.0	26.4	14.8	32.6	25	55

GLOBE VALVES

REG.	-		1/2		3/4		1		1 1/4		1 1/2		2		-	
FULL	1/4		3/8		1/2		3/4		1		1 1/4		1 1/2		2	
	mm	in.	mm	in.	mm	in.	mm	in.	mm	in.	mm	in.	mm	in.	mm	in.
A	80	3.14	80	3.14	90	3.54	110	4.33	127	5.00	155	6.10	170	6.69	210	8.26
B	70	2.75	70	2.75	80	3.14	110	4.33	110	4.33	130	5.11	130	5.11	160	6.29
C	398	15.7	398	15.7	415	16.3	430	16.9	463	18.2	498	19.6	507	20.0	567	22.3
Port	7	0.28	9	0.35	13	0.51	17.5	0.69	22.5	0.89	29.5	1.16	35	1.38	45.5	1.79
H	290	11.4	290	11.4	299	11.8	303	11.9	324	12.7	336	13.2	347	13.7	372	14.6
Kg-Lb	3.4	7.4	3.4	7.4	4.2	9.2	6.5	14.3	10.5	23.1	14.0	30.8	16.8	37.0	26.0	57.2

GATE VALVES

REGULAR PORT

BOLTED BONNET

Threaded

Socket Weld

B-3612-T

B-3612-W

GATE VALVES

FULL PORT

BOLTED BONNET

Threaded

Socket Weld

FB-3612-T

FB-3612-W

GLOBE VALVES

REGULAR PORT

BOLTED BONNET

Threaded

Socket Weld

B-3613-T

B-3613-W

GLOBE VALVES

FULL PORT

BOLTED BONNET

Threaded

Socket Weld

FB-3613-T

FB-3613-W

MATERIALS

Cryogenic valves are usually manufactured to customer specifications. Body and bonnet is normally ASTM A182 Gr F304 or other material capable of resisting cryogenic temperatures. Trim material varies according to requirements. Please specify your exact material needs when inquiring.