

Cast Steel Globe Valves

Figures 151
151½

CRANE®

Class 300 • Outside Screw & Yoke • Bolted Bonnet

Material of Construction*

| Description | Material |
|---------------|---------------------------------------|
| Body | WCB |
| Bonnet | WCB |
| Seat Rings | Hardfaced |
| Disc | 13% CR Overlay |
| Stem | 410 SS |
| Packing | Graphite |
| Bonnet Gasket | Stainless Steel spiral wound Graphite |
| Back Seat | 410 SS |
| Disc Stem Nut | 410 SS |
| Disc Washer | Carbon Steel |
| Gland | 410 SS |
| Gland Flange | WCB |
| Eye Bolt | Steel |
| Eye Bolt Nuts | A563 Gr. A or O |
| Pins | - |
| Bonnet Studs | A193 Gr. B7 |
| Bonnet Nuts | A194 Gr. 2H |
| Handwheel | WCB |
| Handwheel Nut | A194 Gr. 2H |
| I.D. Tags | SS |
| I.D. Pins | Steel |

NOTES:

*Standard construction: WCB-Trim 8, other options are available. Crane recommends the use of manual or powered gear assistance for sizes 10" and larger.

Figure 151

Flanged

Figure 151½

Butt Weld

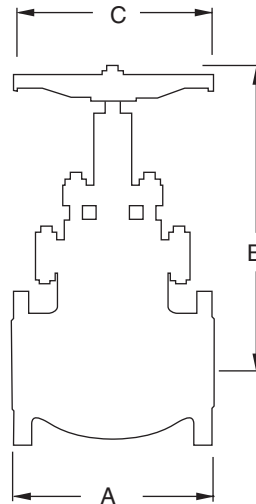
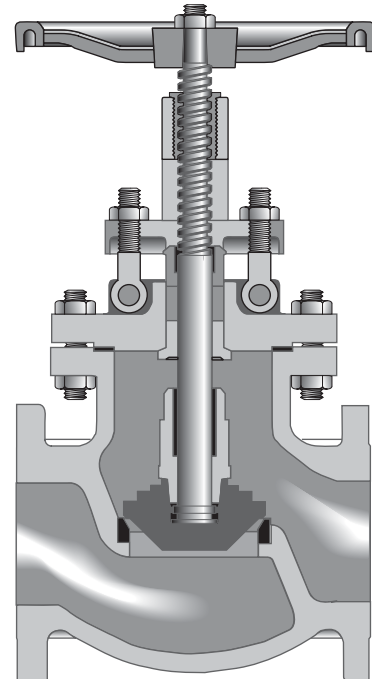
Size Range:

2 through 12 inches
(50 - 300 mm)

Pressure Temperature Rating

Carbon Steel

ASTM A216 Grade WCB
740 psi @ -20°F to 100°F
(51 bar @ -28°C to 37°C)



Industry Standards

| | |
|-------------------------|--------------|
| Steel Valves | ASME B16.34 |
| Face-to-Face/End-to-End | ASME B16.10 |
| Flange Dimensions | ASME B16.5 |
| Weld End | ASME B.16.25 |
| Testing | API 598 |

Dimensions and Weights

Inches (millimeters) - pounds (kilograms)

| Valves | 2 (50) | 2 ½ (65) | 3 (80) | 4 (100) | 6 (150) | 8 (200) | 10 (250) | 12 (300) |
|---------------|----------------|----------------|----------------|----------------|----------------|----------------|----------------|----------------|
| A | 10.50 (267) | 11.50 (292) | 12.50 (317) | 14.00 (356) | 17.50 (444) | 22.00 (558) | 24.50 (622) | 28.00 (711) |
| B (Open) | 15 (381) | 18 (457) | 18 (457) | 21 (533) | 25 (635) | 36 (914) | 41 (1041) | 51 (1295) |
| C | 8 (203) | 10 (254) | 10 (254) | 14 (355) | 18 (457) | 22 (559) | 24 (610) | 25 (635) |
| Wt. (151) | 69 (31) | 99 (44) | 128 (58) | 190 (86) | 330 (149) | 330 (149) | 700 (317) | 1360 (616) |
| Wt. (151½) | 62 (28) | 73 (33) | 124 (56) | 181 (82) | 340 (154) | 530 (240) | 710 (322) | 1400 (635) |