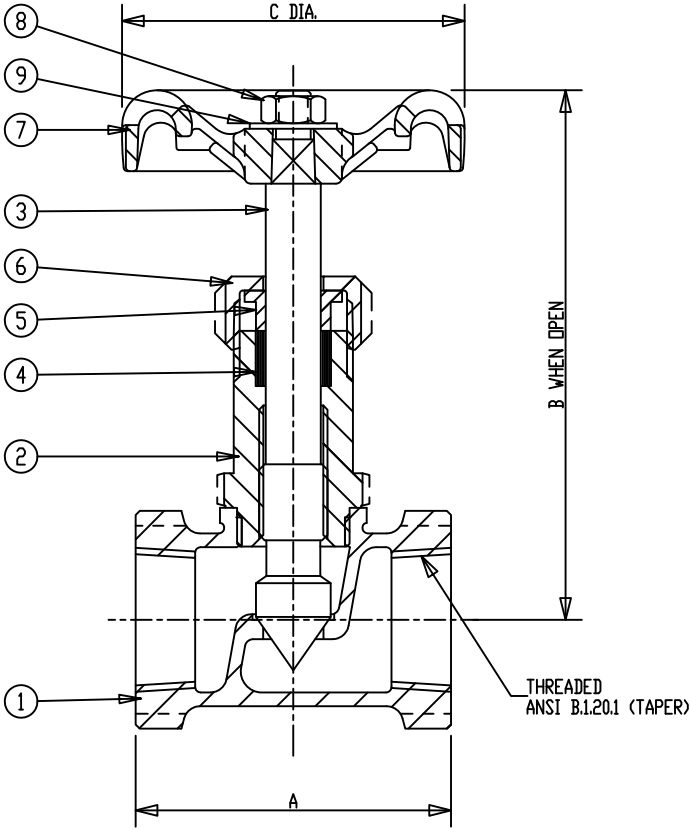


**Class 200 • Threaded Bonnet • Needle Type Disc • Thrd. Ends**

**88 Globe Valve**



**Materials of Construction**

| No. | Description   | Material                      | ASTM Spec.       |
|-----|---------------|-------------------------------|------------------|
| 1   | Body          | Bronze                        | B-62 C83600      |
| 2   | Bonnet        | (1/8" - 1/2") Sil. Al. Bronze | BSEN12163 CW301G |
|     |               | (3/4") Brass                  | BSEN12164 CW614N |
| 3   | Stem          | Sil. Al. Bronze               | BSEN12163 CW301G |
| 4   | Packing       | Graphite (Asbestos Free)      |                  |
| 5   | Gland         | Brass                         | BSEN12164 CW614N |
| 6   | Packing Nut   | Brass                         | BSEN12164 CW614N |
| 7   | Handwheel     | Aluminum                      |                  |
| 8   | Handwheel Nut | Brass                         | BSEN12164 CW614N |
| 9   | ID Plate      | Aluminum                      |                  |

See page 8 for Pressure-Temperature Ratings.

| Industry Standards |
|--------------------|
| MSS SP-80, Type 1  |

**Dimensions and Weights**  
Inches (millimeters) - Pounds (kilograms)

| Valve Size | Dimensions |      |      | Wt.    |
|------------|------------|------|------|--------|
|            | B          | C    | A    |        |
| 1/8        | 2.91       | 1.73 | 1.14 | 0.29   |
|            | (74)       | (44) | (29) | (0.13) |
| 1/4        | 2.87       | 1.73 | 1.54 | 0.33   |
|            | (73)       | (44) | (39) | (0.15) |
| 3/8        | 3.03       | 1.73 | 1.77 | 0.46   |
|            | (77)       | (44) | (45) | (0.21) |
| 1/2        | 3.58       | 2.05 | 2.01 | 0.64   |
|            | (91)       | (52) | (51) | (0.29) |
| 3/4        | 4.09       | 2.56 | 2.28 | 1.01   |
|            | (104)      | (65) | (58) | (0.46) |