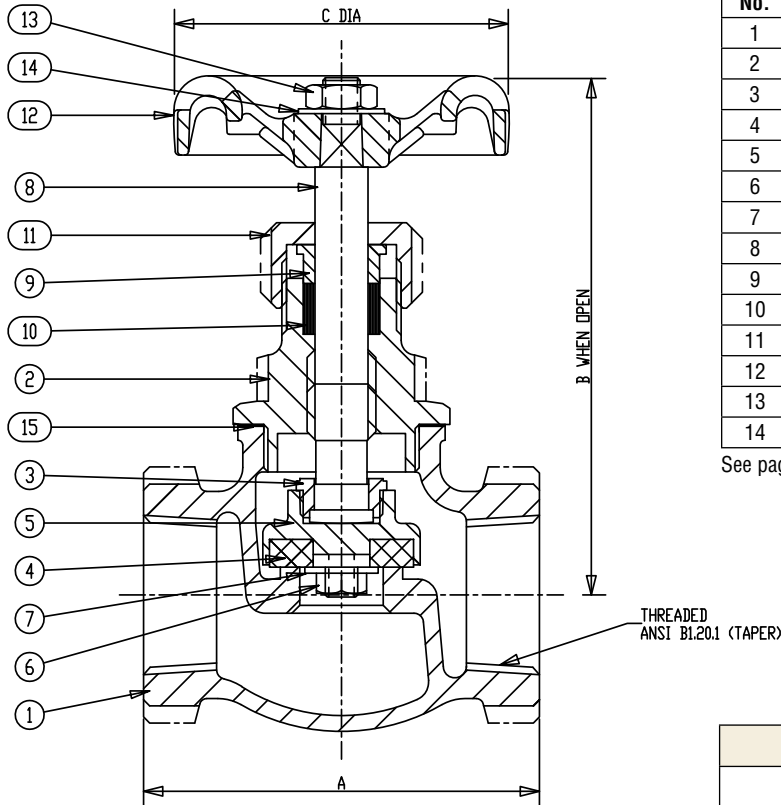


Class 125 • Threaded Bonnet • PTFE Disc • Threaded Ends

5TF Globe Valve



Materials of Construction

| No. | Description | Material | ASTM Spec. |
|-----|------------------|--------------------------|------------------|
| 1 | Body | Bronze | B-62 C83600 |
| 2 | Bonnet | Bronze | B-62 C83600 |
| 3 | Disc Stem Ring | Copper Silicon Bronze | B-371 C69400 |
| 4 | Disc | PTFE (25% Glass Filled) | |
| 5 | Disc Holder | Bronze | B-62 C83600 |
| 6 | Disc Ret Nut | Brass | BSEN12164 CW614N |
| 7 | Washer (2½ - 3") | Brass | BSEN12164 CW614N |
| 8 | Stem | Copper Silicon Steel | B-371 C69400 |
| 9 | Gland | Brass | BSEN12164 CW614N |
| 10 | Packing | Graphite (Asbestos Free) | |
| 11 | Packing Nut | Brass | BSEN12164 CW614N |
| 12 | Handwheel | Malleable Iron | A-197 F22000 |
| 13 | Handwheel Nut | Brass | BSEN12164 CW614N |
| 14 | ID Plate | Aluminum | |

See page 8 for Pressure-Temperature Ratings.

| Industry Standards |
|--------------------|
| MSS SP-80, Type 2 |

Dimensions and Weights
Inches (millimeters) - Pounds (kilograms)

| Valve Size | Dimensions | | | Wt. |
|------------|------------|-------|-------|--------|
| | A | B | C | |
| ¾ | 2.99 | 4.55 | 2.98 | 1.90 |
| | (76) | (116) | (76) | (0.86) |
| ½ | 1.94 | 3.66 | 1.96 | 0.70 |
| | (49) | (93) | (50) | (0.32) |
| ¾ | 2.57 | 3.55 | 2.14 | 1.10 |
| | (65) | (90) | (54) | (0.48) |
| 1 | 3.51 | 5.01 | 3.03 | 2.80 |
| | (89) | (127) | (77) | (1.25) |
| 1 ¼ | 3.88 | 5.10 | 3.70 | 4.10 |
| | (99) | (130) | (94) | (1.86) |
| 1 ½ | 4.67 | 6.05 | 4.63 | 6.20 |
| | (119) | (154) | (118) | (2.79) |
| 2 | 5.75 | 6.74 | 5.24 | 9.80 |
| | (146) | (171) | (133) | (4.45) |