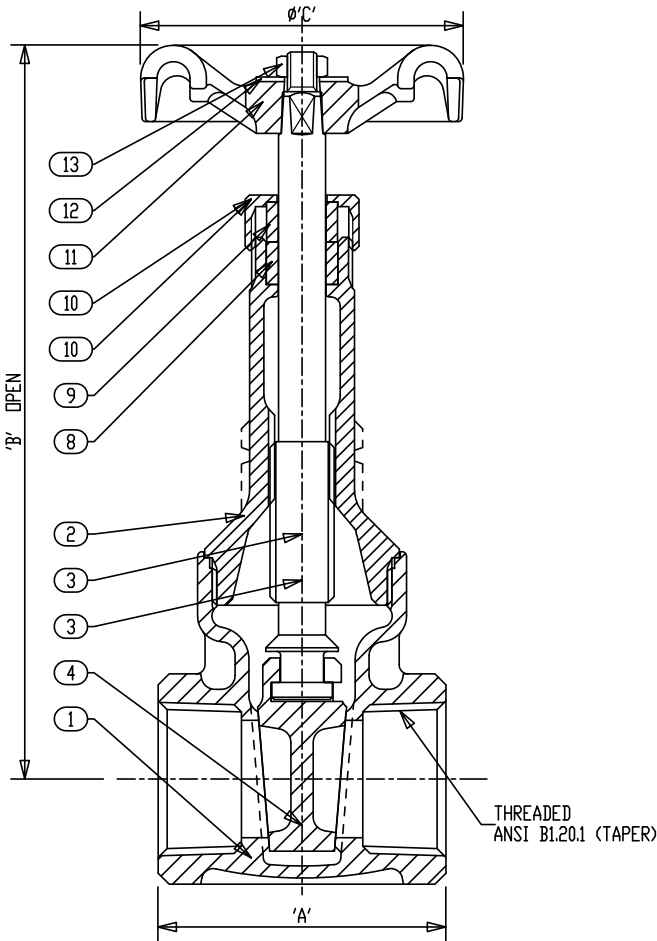


**Class 150 • Threaded Bonnet • Rising Stem • Threaded Ends**

**431 Gate Valve**



**Materials of Construction**

| No. | Description   | Material                 | ASTM Spec.       |
|-----|---------------|--------------------------|------------------|
| 1   | Body          | Bronze                   | B-62 C83600      |
| 2   | Bonnet        | Bronze                   | B-62 C83600      |
| 3   | Stem          | Copper Silicon Bronze    | B-371 C69400     |
| 4   | Disc          | Bronze                   | B-62 C83600      |
| 8   | Packing Ring  | Graphite (Asbestos Free) |                  |
| 9   | Gland         | Brass                    | BSEN12164 CW614N |
| 10  | Packing Nut   | Brass                    | BSEN12164 CW614N |
| 11  | Handwheel     | Malleable Iron           | A-197 F22000     |
| 12  | ID Plate      | Aluminum                 |                  |
| 13  | Handwheel Nut | Brass                    | BSEN12164 CW614N |

See page 8 for Pressure-Temperature Ratings.

| Industry Standards |
|--------------------|
| MSS SP-80, Type 2  |

**Dimensions and Weights**  
Inches (millimeters) - Pounds (kilograms)

| Valve Size | Dimensions |       |       | Wt.    |
|------------|------------|-------|-------|--------|
|            | B          | C     | A     |        |
| ¼          | 4.96       | 1.75  | 1.81  | 0.7    |
|            | (126)      | (45)  | (46)  | (0.32) |
| ⅜          | 4.96       | 1.75  | 1.81  | 0.7    |
|            | (126)      | (45)  | (46)  | (0.32) |
| ½          | 5.07       | 2.06  | 1.98  | 1.0    |
|            | (129)      | (52)  | (51)  | (0.46) |
| ¾          | 6.25       | 2.56  | 2.14  | 1.6    |
|            | (159)      | (65)  | (55)  | (0.72) |
| 1          | 7.44       | 2.75  | 2.46  | 2.4    |
|            | (189)      | (70)  | (63)  | (1.10) |
| 1 ¼        | 8.62       | 3.06  | 2.77  | 3.3    |
|            | (219)      | (78)  | (71)  | (1.50) |
| 1 ½        | 9.68       | 3.62  | 2.85  | 4.9    |
|            | (246)      | (92)  | (73)  | (2.25) |
| 2          | 11.85      | 3.62  | 3.25  | 7.0    |
|            | (301)      | (92)  | (83)  | (3.20) |
| 2 ½        | 14.53      | 5.28  | 4.25  | 12.8   |
|            | (369)      | (134) | (108) | (5.80) |
| 3          | 16.39      | 5.28  | 4.59  | 18.8   |
|            | (416)      | (134) | (117) | (8.52) |