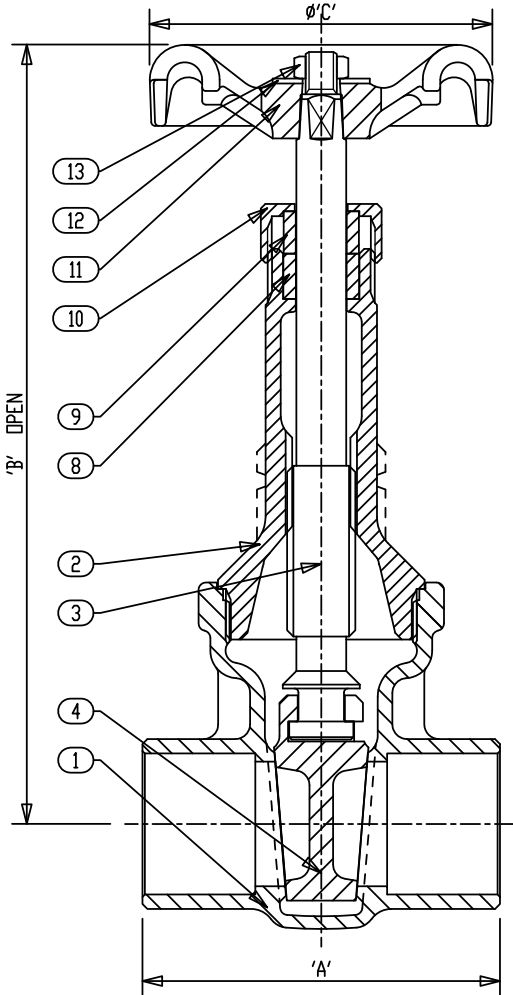


200 CWP • Threaded Bonnet • Rising Stem • Solder Ends

1330 Gate Valve



Materials of Construction

No.	Description	Material	ASTM Spec.
1	Body	Bronze	B-62 C83600
2	Bonnet	Bronze	B-62 C83600
3	Stem	Copper Silicon Bronze	B-371 C69400
4	Disc	Bronze	B-62 C83600
8	Packing Ring	Graphite (Asbestos Free)	
9	Gland	Brass	BSEN12164 CW614N
10	Packing Nut	Brass	BSEN12164 CW614N
11	Handwheel	Malleable Iron	A-197 F22000
12	ID Plate	Aluminum	
13	Handwheel Nut	Brass	BSEN12164 CW614N

Caution: Before installing solder-joint valves, be sure solder or brazing alloy melting point is high enough to withstand line pressure, temperature conditions, and is compatible with fluid medium.

See page 7 for Adjusted Pressure-Temperature Ratings.

Industry Standards

MSS SP-80, Type 2

Dimensions and Weights

Inches (millimeters) - Pounds (kilograms)

Valve Size	Dimensions			Wt.
	A	B	C	
½	2.00	5.07	2.06	1.00
	(48)	(129)	(52)	(0.46)
¾	2.20	6.25	2.56	1.60
	(61)	(159)	(65)	(0.72)
1	2.50	7.44	2.75	2.40
	(73)	(189)	(70)	(1.10)
1 ¼	2.80	8.62	3.06	3.30
	(79)	(219)	(78)	(1.50)
1 ½	2.90	9.68	3.62	4.90
	(88)	(246)	(92)	(2.25)
2	3.30	11.85	3.62	7.00
	(105)	(301)	(92)	(3.20)
2 ½	4.30	14.53	5.28	12.80
	(112)	(369)	(134)	(5.80)
3	4.60	16.39	5.28	18.80
	(126)	(416)	(134)	(8.52)