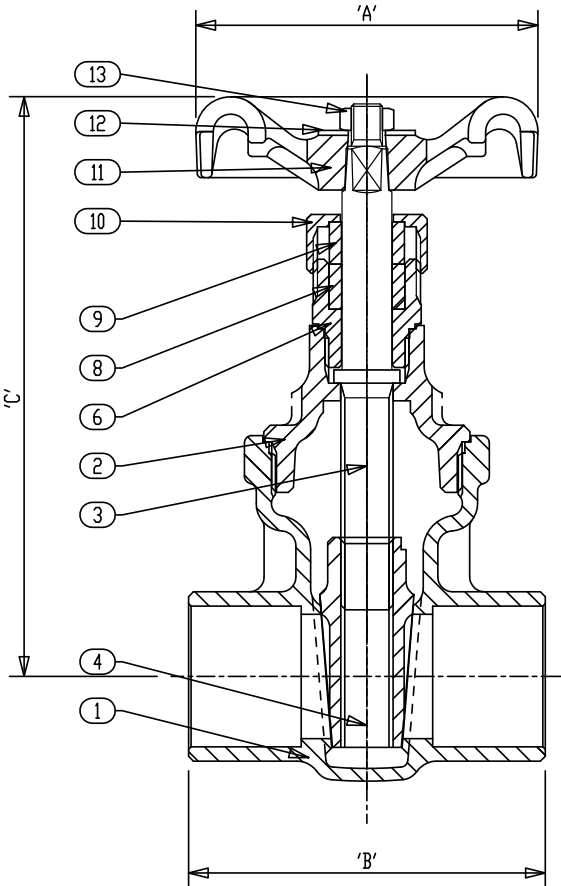


300 CWP • Threaded Bonnet • Non-Rising Stem • Solder Ends

1324 Gate Valve



Materials of Construction

No.	Description	Material	ASTM Spec.
1	Body	Bronze	B-62 C83600
2	Bonnet	Bronze	B-62 C83600
3	Stem	Copper Silicon Bronze	B-371 C69400
4	Disc	Bronze	B-62 C83600
6	Stuffing Box	Copper Silicon Bronze	B-371 C69400
8	Packing Ring	Graphite (Asbestos Free)	
9	Gland	Brass	BSEN12164 CW614N
10	Packing Nut	Brass	BSEN12164 CW614N
11	Handwheel	Malleable Iron	A-197 F22000
12	ID Plate	Aluminum	
13	Handwheel Nut	Brass	BSEN12164 CW614N

Caution: Before installing solder-joint valves, be sure solder or brazing alloy melting point is high enough to withstand line pressure, temperature conditions, and is compatible with fluid medium.
See page 7 for Adjusted Pressure-Temperature Ratings.

Industry Standards

MSS SP-80, Type 1

Dimensions and Weights

Inches (millimeters) - Pounds (kilograms)

Valve Size	Dimensions			Wt.
	A	B	C	
3/8	2.06	2.00	3.23	1.00
	(52)	(48)	(82)	(0.47)
1/2	2.56	2.20	3.74	1.30
	(65)	(61)	(95)	(0.60)
3/4	2.75	2.50	4.64	2.00
	(70)	(73)	(118)	(.92)
1	3.06	2.80	5.67	3.10
	(79)	(79)	(144)	(1.41)
1 1/4	3.62	2.90	6.53	4.20
	(92)	(88)	(166)	(1.92)
1 1/2	4.06	3.30	7.48	6.00
	(103)	(105)	(190)	(2.72)
2	5.28	4.30	9.26	12.40
	(134)	(112)	(235)	(5.62)
2 1/2	5.28	4.60	9.89	17.40
	(134)	(126)	(251)	(7.89)
3	5.35	12.83	5.12	15.10
	(136)	(326)	(130)	(6.82)