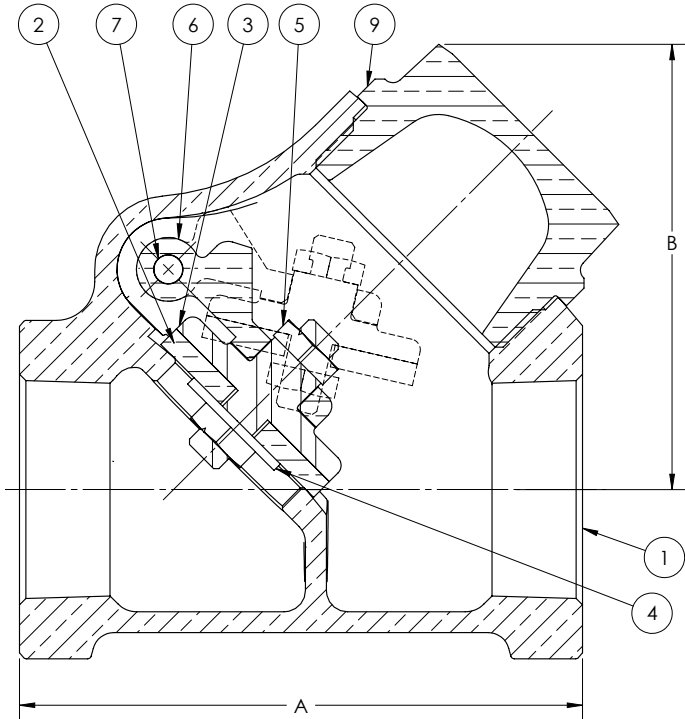


**Class 125 • Threaded Cap • PTFE Disc • Threaded Ends**

**41TF Swing Check Valve**

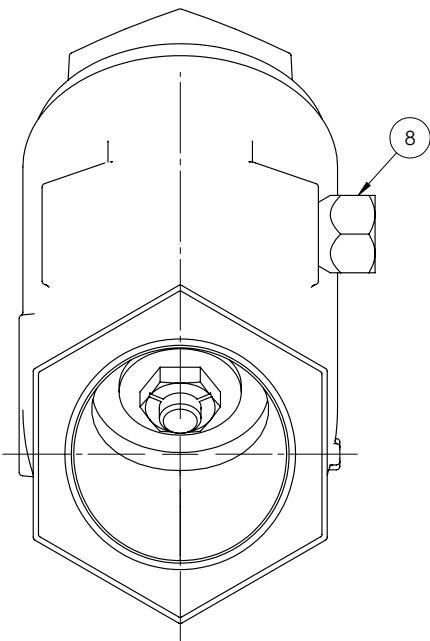


**Materials of Construction**

No.	Description	Material	ASTM Spec.
1	Body	Bronze	B-62 C83600
2	Disc	PTFE (15% Glass filled)	
3	Disc Holder	(1/2" - 3/4") Brass	B-16 H02
		(1" - 2") Bronze	B-62 C83600
4	Disc Washer	Brass	B-16 H02
5	Lock Nut	Brass	B-16 H02
6	Hinge	Bronze	B-584 C87600
7	Hinge Pin	Stainless Steel	A-276 Type 304
8	Hinge Pin Plug	Brass	B-16 H02
9	Cap	Bronze	B-61 C92200

**Caution:** Not recommended for use with reciprocating pumps or air compressors in liquid or gas services. See page 8 for Pressure-Temperature Ratings.

Industry Standards
MSS SP-80, Type 4



**Dimensions and Weights**  
Inches (millimeters) - Pounds (kilograms)

Valve Size	Dimensions		Wt.
	B	A	
1/2	1.64	2.15	0.55
	(42)	(55)	(0.25)
3/4	1.92	2.71	0.90
	(49)	(69)	(0.41)
1	2.52	3.18	1.45
	(64)	(81)	(0.66)
1 1/4	2.95	3.81	2.29
	(75)	(97)	(1.04)
1 1/2	3.43	4.34	3.65
	(87)	(110)	(1.66)
2	4.19	5.11	5.79
	(106)	(130)	(2.63)