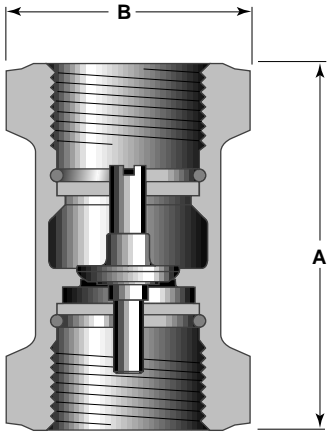


Figure 29 Bronze Vertical Lift Check Valve



Class 125 • Bronze Disc • Threaded Ends



Features

- These lift check valves have a one piece body with a bronze disc. The design is conceived for operation on upward flow only. Always install vertically with pressure below the seat and inlet end down.
- Seats are integral with body. Disc is precisely guided at top and bottom, assuring accurate seating.
- Excellent choke for suction lines and general service
- MSS Specification SP-80

For more detailed features, refer to page 46.

Figure 29

Size Range:
1/4" through 3"

Working Pressures Non-Shock:

125 psi Steam, Basic Rating
200 psi Cold Working Pressure

Principal Parts & Materials

Part	Sizes	Material	ASTM
Body	All	Bronze	B62 C83600
Disc	1/4" - 1/2"	Brass	B36 C-2600 H04
Disc	3/4"	Bronze	B505 C83600
Disc	1" - 2"	Bronze	B62 C83600
Disc guide	All	Brass	B36 C26000 H04
Retaining ring	All	Brass	B134 C26000

Dimensions and Weights

Inches (millimeters) - pounds (kilograms)

	1/4 (6)	3/8 (10)	1/2 (15)	3/4 (20)	1 (25)	1 1/4 (32)	1 1/2 (40)	2 (50)	2 1/2 (65)	3 (80)
A	1.96 (50)	1.96 (50)	2.15 (55)	2.32 (59)	2.90 (74)	3.28 (83)	3.60 (91)	4.00 (102)	5.00 (127)	5.42 (138)
B	1.08 (27)	1.08 (27)	1.26 (32)	1.54 (39)	1.87 (47)	2.36 (60)	2.58 (66)	3.24 (82)	3.94 (100)	4.74 (120)
WTS.	0.30 (0.14)	0.30 (0.11)	0.40 (0.16)	0.50 (0.23)	0.90 (0.41)	1.50 (0.68)	2.10 (0.93)	3.10 (1.38)	6.30 (2.86)	8.60 (3.88)