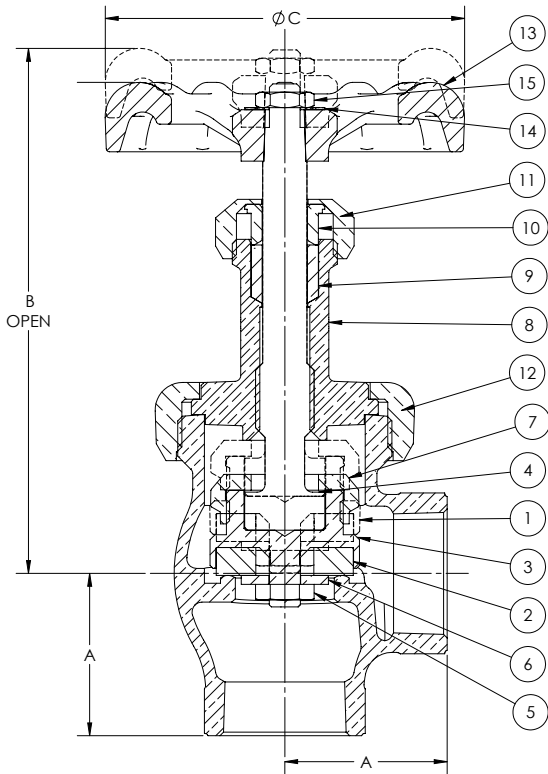


Class 150 • Union Bonnet • PTFE Disc • Threaded Ends

17TF Angle Valve



Materials of Construction

No.	Description	Material	ASTM Spec.
1	Body	Bronze	B-62 C83600
2	Disc	PTFE (15% Glass Filled)	
3	Disc Holder	(1/4" - 1/2") Brass (3/4" - 2") Bronze	B-16 H02 B-62 C83600
4	Stem	Bronze	B-371 C69400
5	Lock Nut	Brass	B-16 H02
6	Disc Washer	Brass	B-16 H02
7	Disc Stem Ring	Bronze	B-61 C92200
8	Bonnet	(1/4" - 3/8") Brass (1/2" - 2") Bronze	B-16 H02 B-62 C83600
9	Packing	Graphite (Asbestos Free)	
10	Gland	Brass	B-16 H02
11	Packing Nut	(1/4" - 1 1/2") Brass (2") Bronze	B-16 C36000 H02 B-61 C92200
12	Union Bonnet Ring	Bronze	B-62 C83600
13	Handwheel	Cast Iron	
14	ID Plate	Aluminum	
15	Lock Nut	Steel Cadmium	

See page 8 for Pressure-Temperature Ratings.

Industry Standards

MSS SP-80, Type 2

Dimensions and Weights

Inches (millimeters) - Pounds (kilograms)

Valve Size	Dimensions			Wt.
	B	C	A	
1/4	4.05	2.76	1.13	1.03
	(103)	(70)	(29)	(0.47)
3/8	4.05	2.76	1.13	1.01
	(103)	(70)	(29)	(0.46)
1/2	3.92	2.76	1.15	1.21
	(100)	(70)	(29)	(0.55)
3/4	4.78	2.76	1.39	1.80
	(122)	(70)	(35)	(0.82)
1	5.42	4.02	1.64	3.01
	(138)	(102)	(42)	(1.37)
1 1/4	6.38	4.02	2.00	4.51
	(162)	(102)	(51)	(2.05)
1 1/2	6.69	4.02	2.18	6.01
	(170)	(102)	(55)	(2.73)
2	7.14	4.76	2.65	10.69
	(181)	(121)	(67)	(4.86)